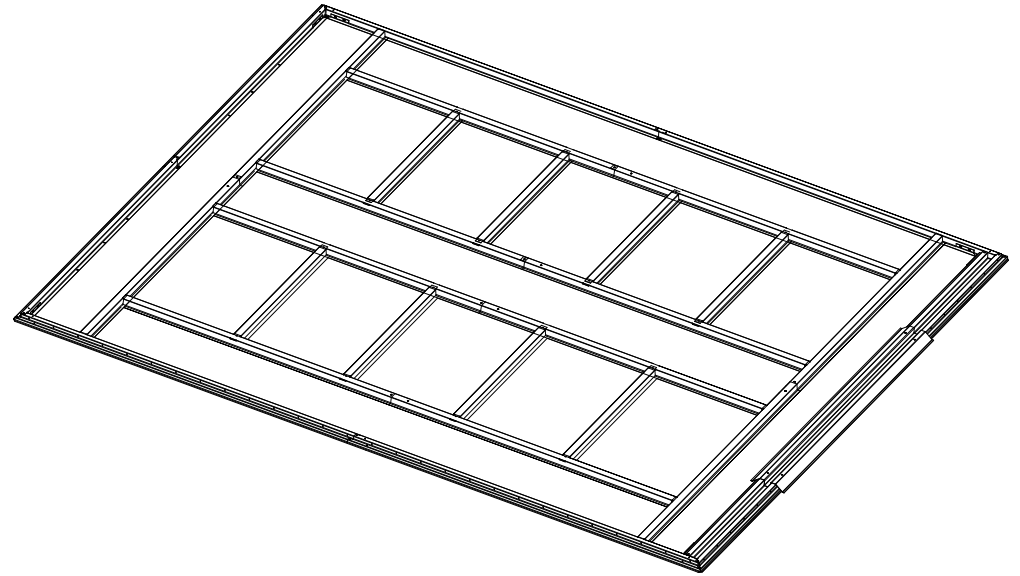
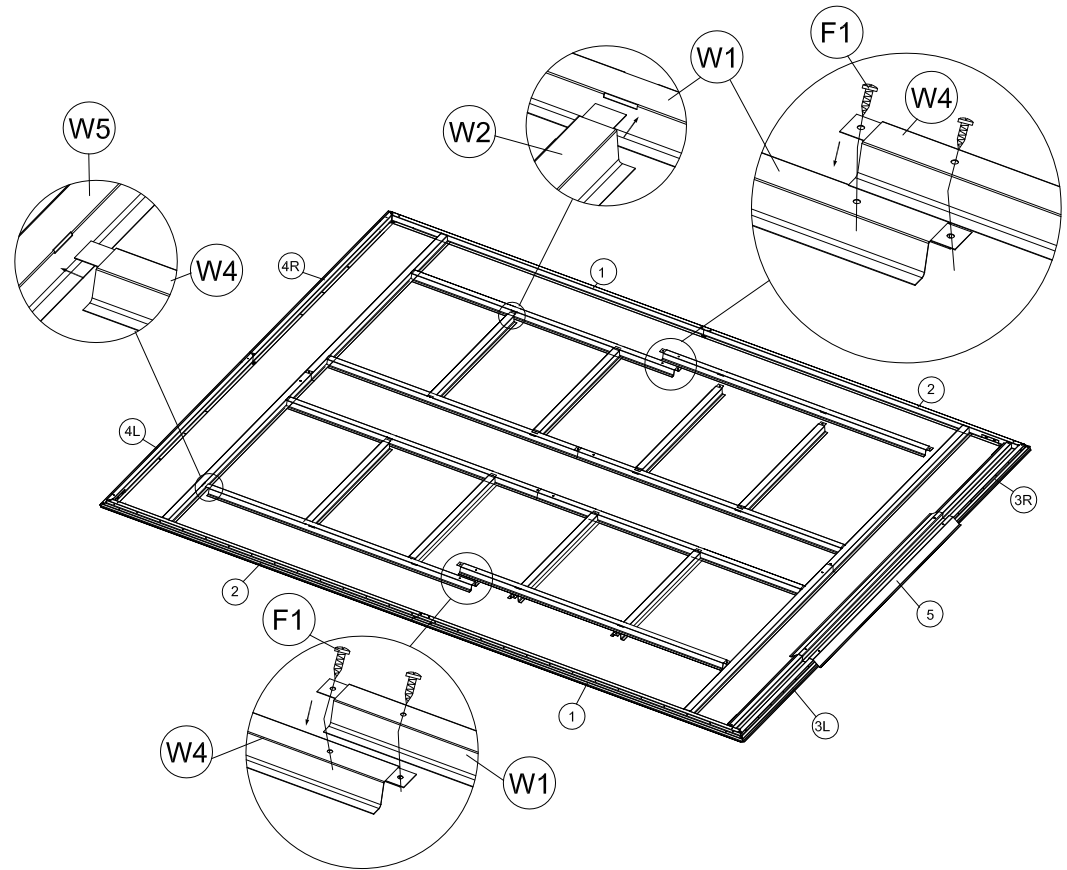
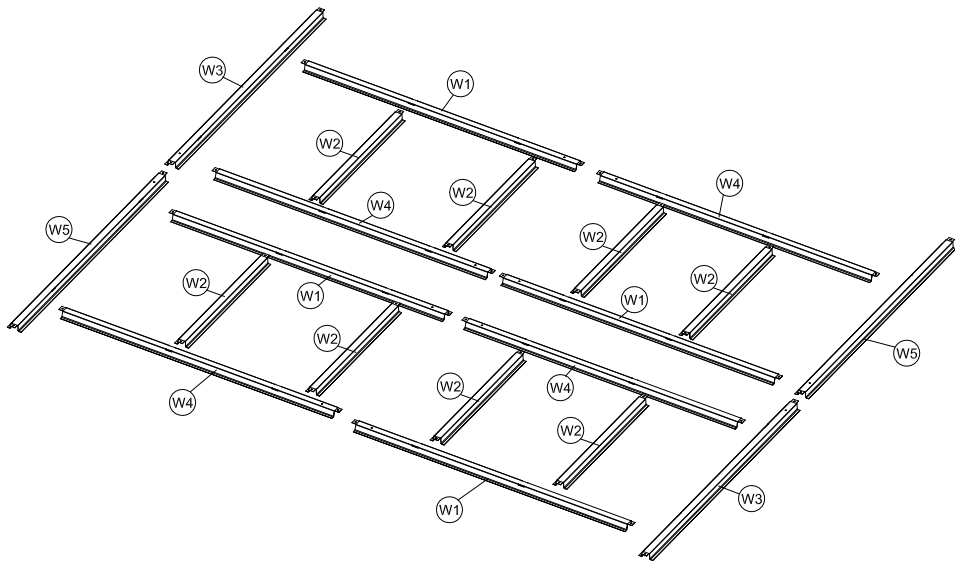




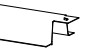
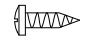


Metal Garden Shed Foundation Kit

Instructions for Assembly
Size 8' x 8'





PART	NO.	Qty.			
	W1	4			
	W2	8			
	W3	2		W5	2
	W4	4		F1	12