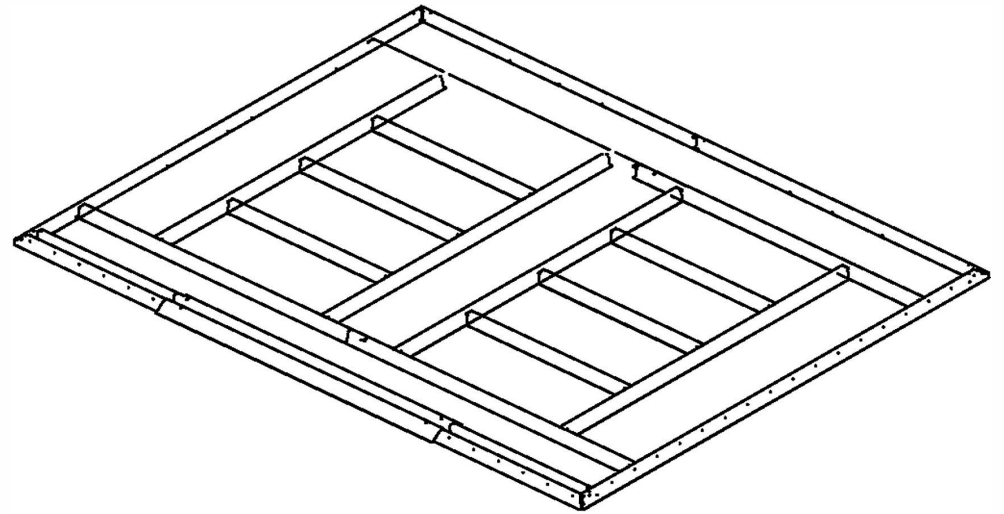
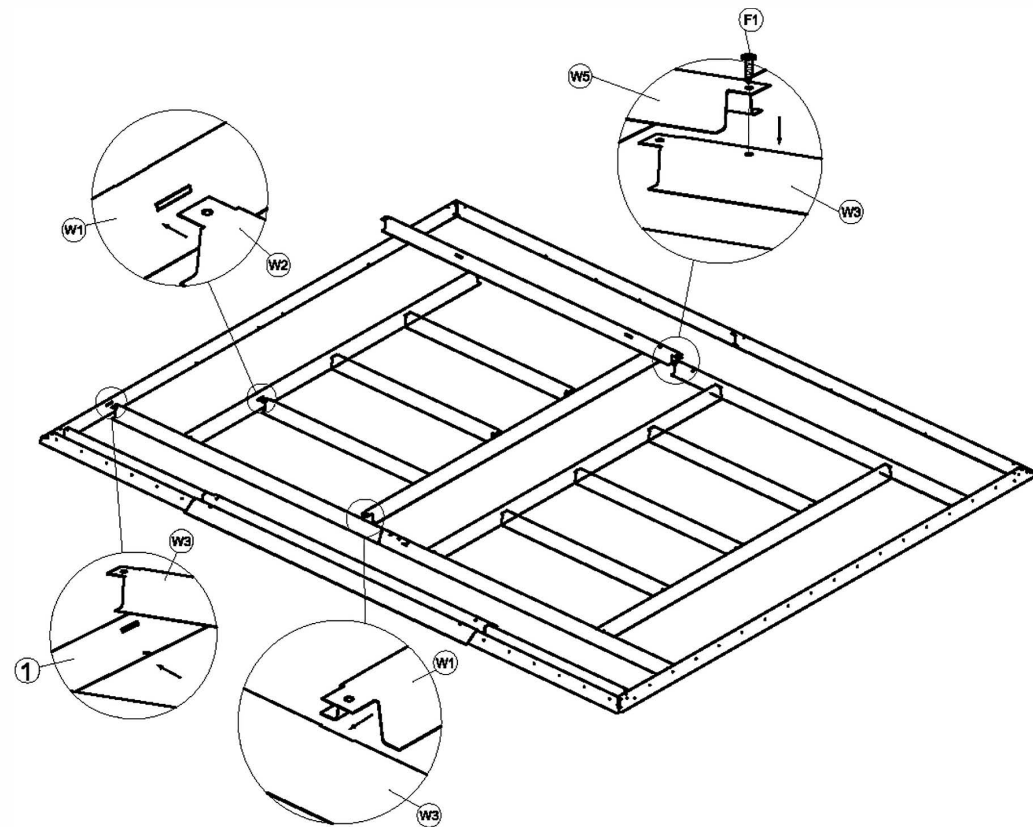
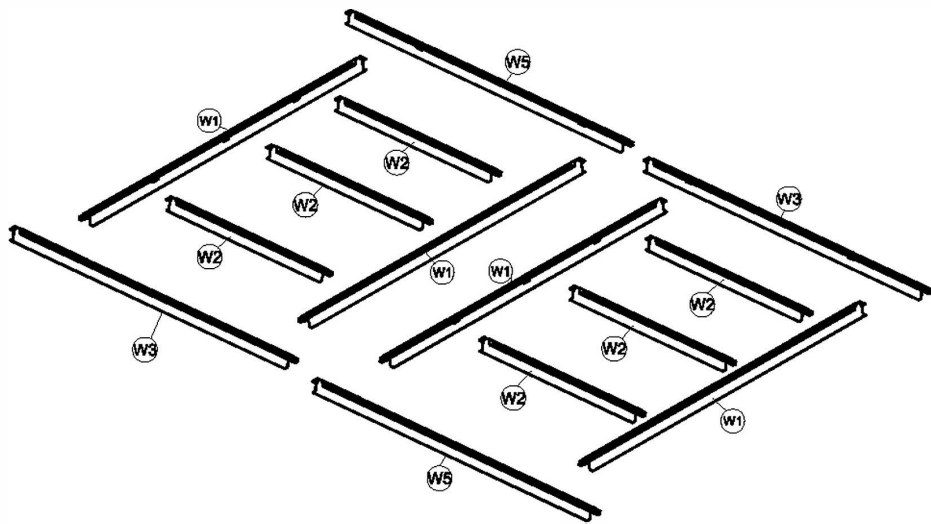


METAL GARDEN SHED 8x6FT

Foundation Kit

Instructions for Assembly





PART	NO.	Qty.
	W1	4
	W2	6
	W3	2
	W5	2
	F1	